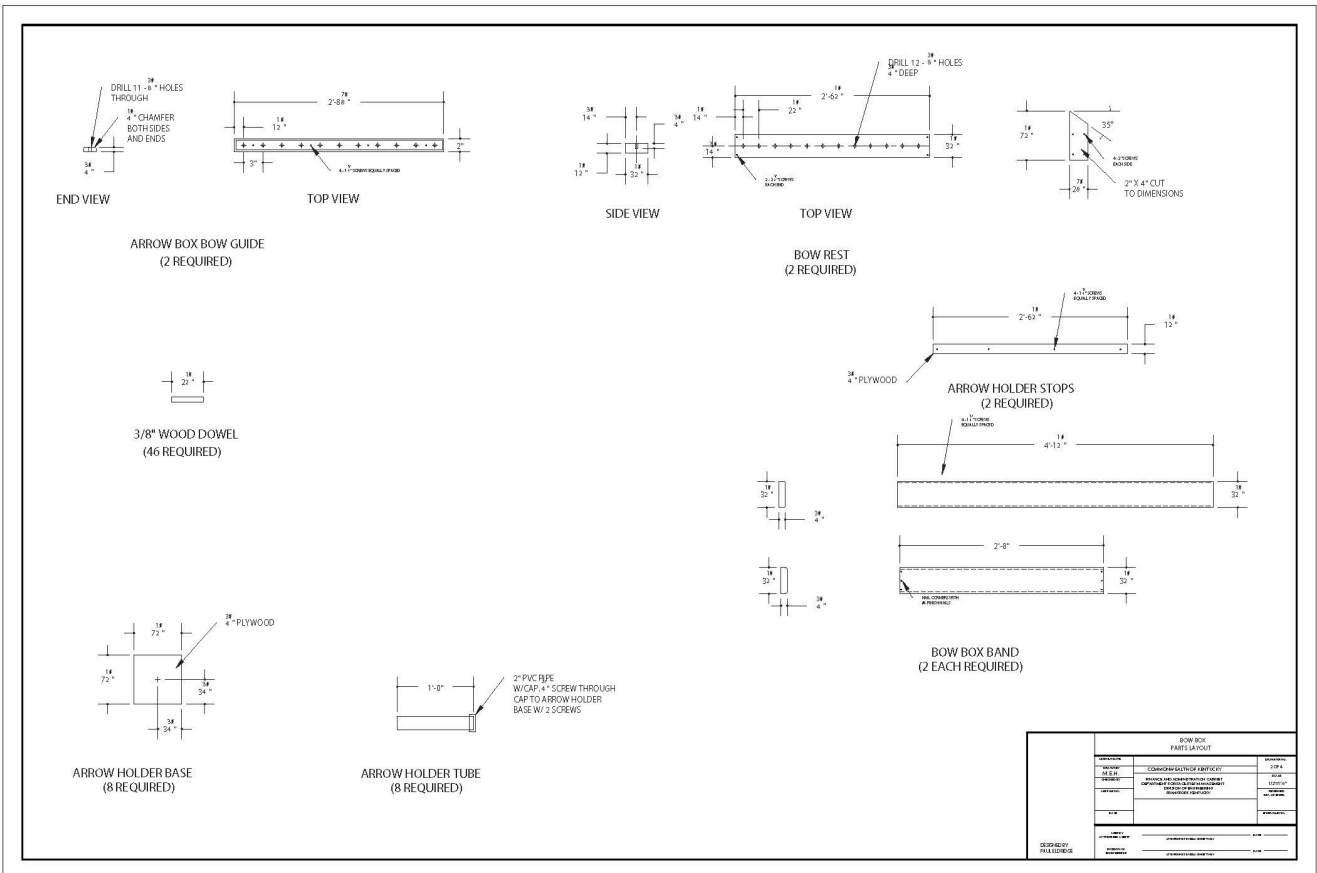
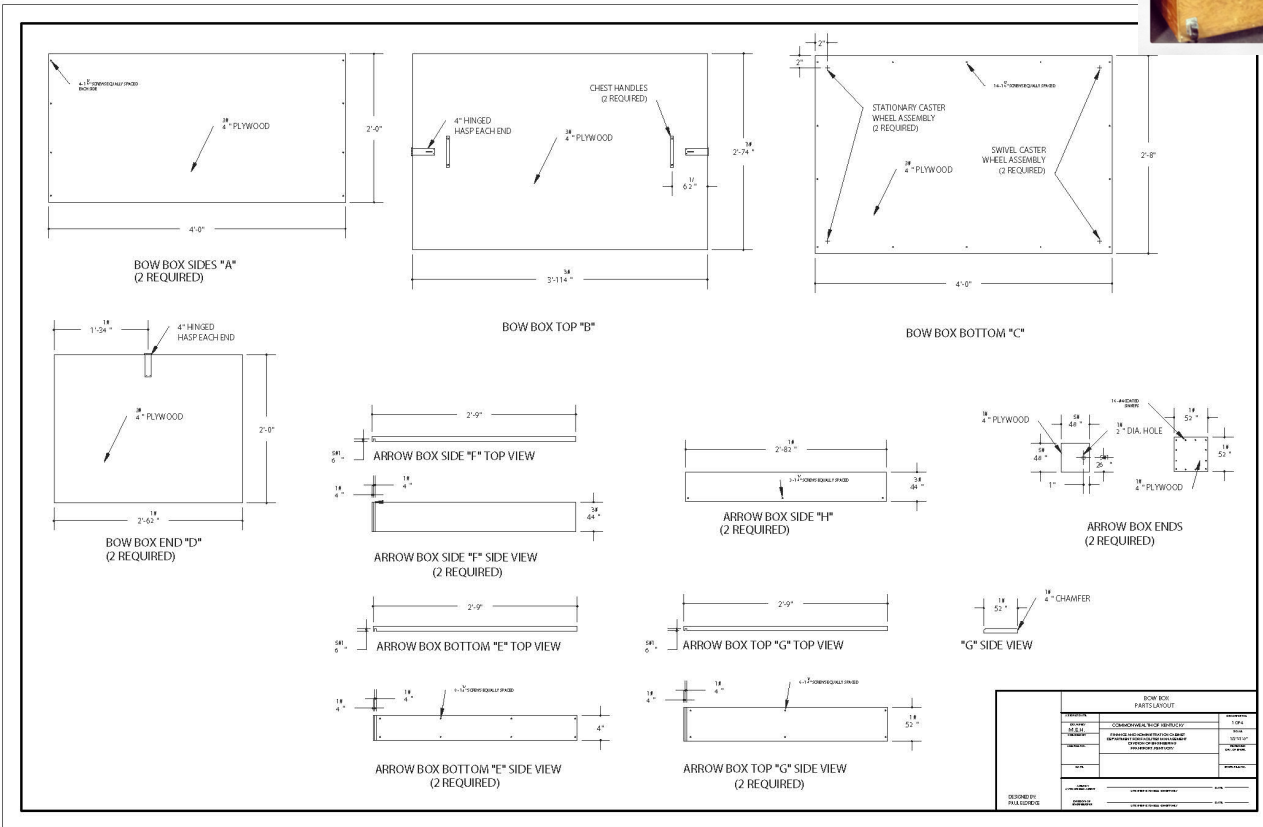
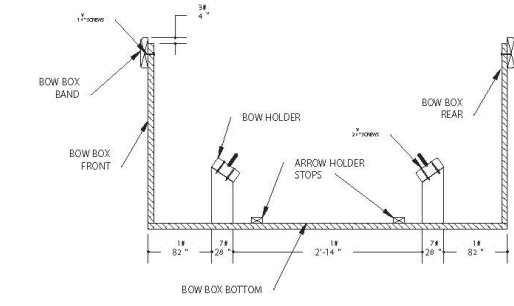
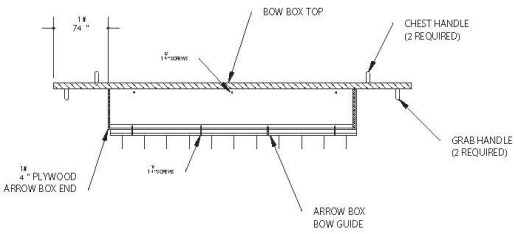
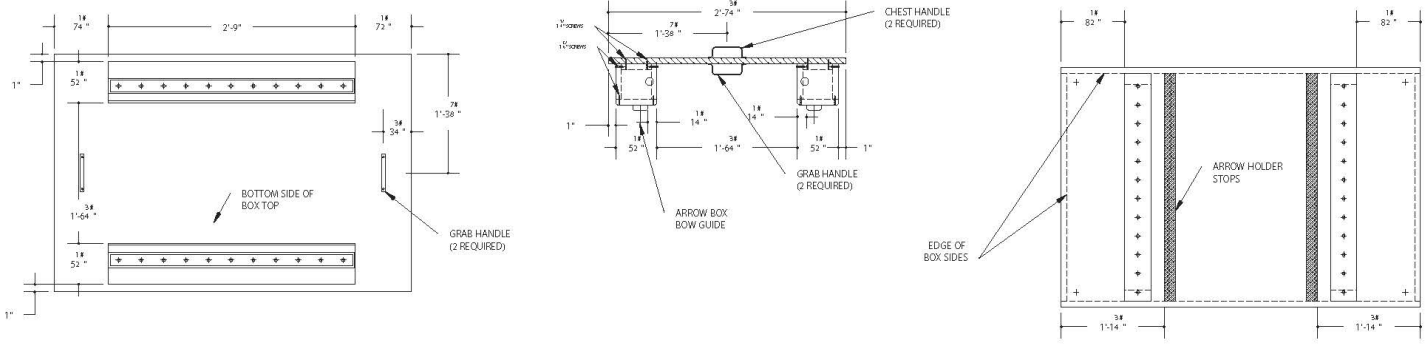


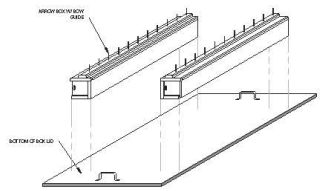
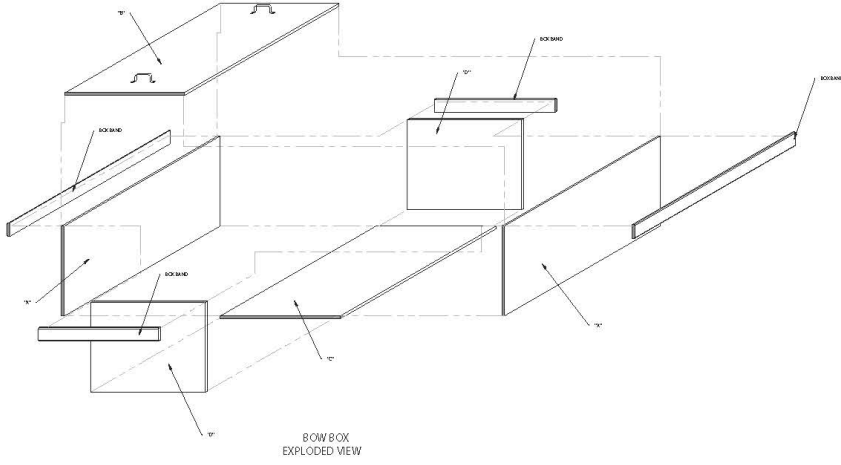
Bow Storage Box Plans

<http://fw.ky.gov/pdf/bowstorageplans.pdf>

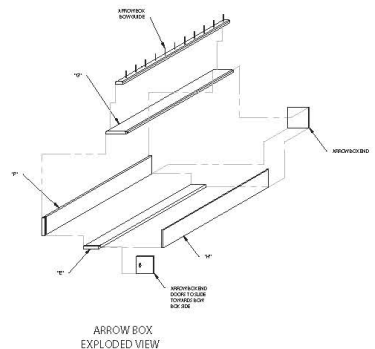




| BOW BOX BOW GUIDE AND HOLDER ASSEMBLY | | DATE |
|--|--------------|------|
| DESIGNED BY | PAUL EDWARDS | DATE |
| CHECKED BY | | DATE |
| APPROVED BY | | DATE |



ARROW BOX ATTACHMENT TO TOP EXPLODED VIEW



ARROW BOX EXPLODED VIEW

- PARTS LIST**
- 2 - 48" X 96" X 3/4" PLYWOOD SHEETS
 - 2 - 3 1/2" CHEST HANDLES
 - 2 - 5 1/2" PULL HANDLES
 - 2 - 1" X 4" X 96" BOARD
 - 16 - 1/4" X 1 1/4" CARRIAGE BOLTS FOR WHEELS
 - 16 - 1/4" NUTS
 - 2 - 2 1/2" SWIVEL CASTOR WHEEL ASSEMBLIES
 - 2 - 2 1/2" CASTOR WHEEL ASSEMBLIES
 - 2 - 4" HINGED HASPS
 - 8 - 1/2" X 2" PVC PIPE
 - 8 - 2" PVC PIPE CAPS
 - 1 BOX - 1 1/4" SCREWS
 - 1 BOX - 1 5/8" SCREWS
 - 1 BOX - 2" SCREWS
 - 1 BOX - 2 1/2" SCREWS
 - 1 BOX - #6 FINISH NAILS
 - 1 BOX - #4 COATED SINKERS
 - STAIN OR FINISH
 - WOOD GLUE FOR ALL WOOD CONNECTIONS

| BOW BOX EXPLODED VIEWS | | DATE |
|---------------------------|--------------|------|
| DESIGNED BY | PAUL EDWARDS | DATE |
| CHECKED BY | | DATE |
| APPROVED BY | | DATE |